

CHEVROLET EXPRESS

From cable companies to restoration crews, this chassis is all about providing a large, roomy interior. Eliminate ladders from hitting the rear doors every time an aggressive maneuver is made by moving the ladders to the roof.



VRR-226

Rack + weight of ladders shown is approximately 155 lbs.



Feet stay safely on the ground.



Maintain vehicle warranty and resale value with no holes to drill.



Reduce back and muscle strain from improper loading.



Hydraulic cylinder provides smoothest, controlled descent of any rack in the industry.



Greatest ladder carrying capacity for Chevy Express.

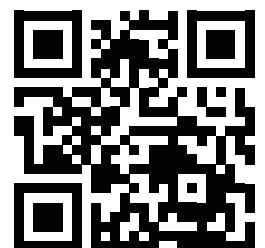


Improve productivity – deploy and stow in less than :20 seconds.



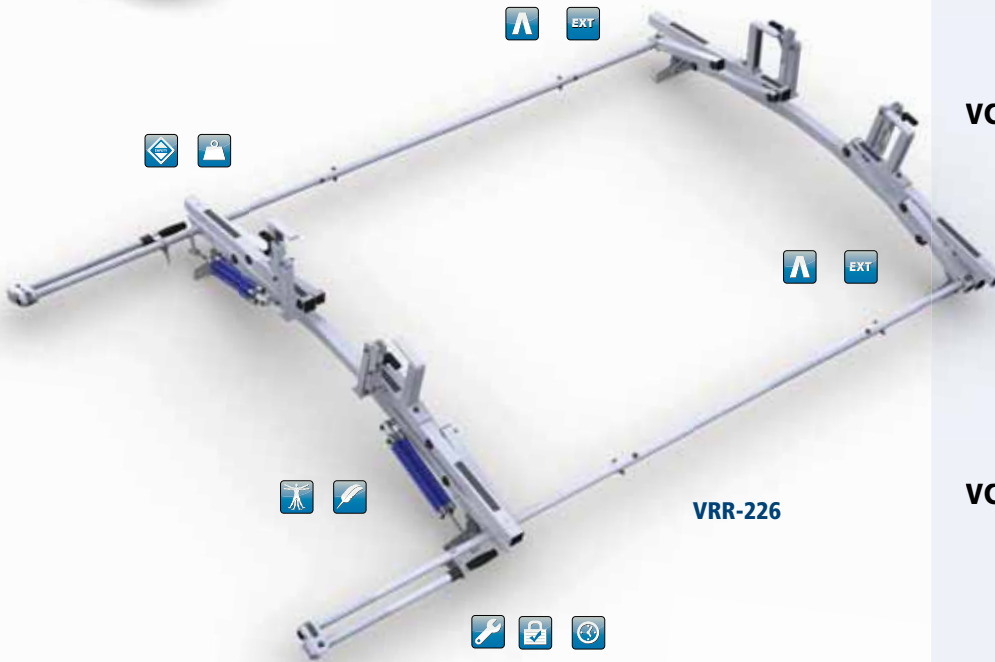
Winner of ergonomic awards in USA, France, Germany and Australia.

Scan this QR Code with your mobile device for more information.





CHEVROLET EXPRESS



VRR-226

VBR-226



HORIZONTAL ROTATION

Carry up to a 40' ladder with this horizontal rotation option.

VCR-226



ERGONOMIC HANDLE

Carry 2 lightweight step or extension ladders up to 40 feet long with both clamp down and horizontal rotation options.

VCI-226



INLINED ROTATION

Carry ladders up to 120lbs. with the inlined rotation rack.

| STREET SIDE | LADDER SIZE | CURB SIDE | LADDER SIZE | RACK WEIGHT | STANDARD MODELS |
|-------------------|---------------|-----------|---------------|-------------|-----------------|
| ONE LADDER | | | | | |
| Base | NA | Clamp | 6-10' 16-40' | 27 lbs | VBC-226 |
| Base | NA | Rotation | 6-10' 16-40' | 54 lbs | VBR-226 |
| TWO LADDER | | | | | |
| Clamp | 6-10' 16-40' | Clamp | 6-10' 16-40' | 35 lbs | VCC-226 |
| Clamp | 6-10' 16-40' | Clamp | 6-10' 16-40' | 40 lbs | VCC-326 |
| Clamp | 6-10' 16-40' | Rotation | 6-10' 16-40' | 62 lbs | VCR-226 |
| Clamp | 6-10' 16-40' | Rotation | 6-10' 16-40' | 69 lbs | VCR-326 |
| Clamp | 6-10' 16-40' | Inclined | 6-10' 16-28' | 76 lbs | VCI-226 |
| Clamp | 6-10' 16-40' | Inclined | 6-10' 16-28' | 84 lbs | VCI-326 |
| Rotation | 6-10' 16-40' | Rotation | 6-10' 16-40' | 91 lbs | VRR-226 |
| Rotation | 6-10' 16-40' | Rotation | 6-10' 16-40' | 90 lbs | VRR-326 |
| Rotation | 6-10' 16-40' | Inclined | 6-10' 16-28' | 97 lbs | VRI-226 |
| Rotation | 6-10' 16-40' | Inclined | 6-10' 16-28' | 105 lbs | VRI-326 |

For rotational style ladder racks, crossbars can be spaced at 5, 6, 7, or 8 feet. Ladders 28 feet or longer require 8 foot spacing of crossbars. For step ladders longer than 10 feet, an optional extended rear upper is available.

Step Ladder

Extension Ladder